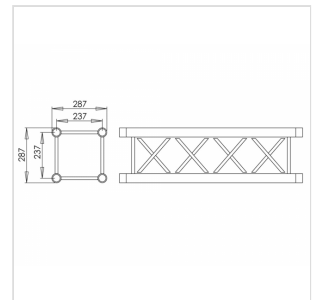
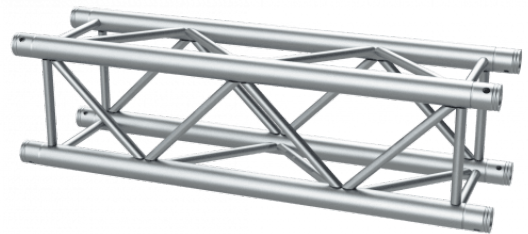


EC292P

29 CM SQUARED TRUSS OF 2M. P SERIES. SILVER

29 cm square aluminium truss structure section, made of 50 mm diameter and 2 mm thick main tube, and 16 mm diameter and 2 mm thick auxiliary tube. It is available in 2 m lengths, and silver. Includes 4 double cones, 4 pins, 4 threaded pins and 4 'R' safety clips. P SERIES



EC292P

29 CM SQUARED TRUSS OF 2M. P SERIES. SILVER

PRODUCT DETAILS

KEY FEATURES

Standard sizes: 0.5 / 1 / 2 / 3 m.

Other sizes available on request.

Available in silver or black.

Other colours available on request.

SPECIFICATIONS

Main tube cross-section	50 x 2 mm
Main Tube	Alloy EN AW 6082T6
Diagonal Tube Section	16 x 2 mm
Alloy diagonal	EN AW 6082T6
Weight	5,7 kg/m
Section Area	12,06 cm ²
Connection System	CBC50P
Truss weight 2m	10 kg
Truss volume 2 m	0 ,1682 m ³
Color	Silver