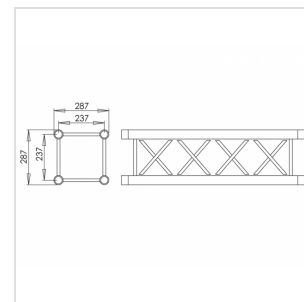
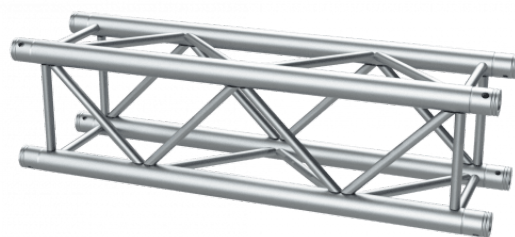


EC291P

29 CM SQUARED TRUSS OF 1M. P SERIES. ALLUMINIO NATURALE

29 cm square aluminium truss structure section, made of 50 mm diameter and 2 mm thick main tube, and 16 mm diameter and 2 mm thick auxiliary tube. It is 1 m lengths, in Silver . Includes 4 double cones, 4 pins, 4 threaded pins and 4 'R' safety clips. P SERIES



EC291P

29 CM SQUARED TRUSS OF 1M. P SERIES. ALLUMINIO NATURALE

PRODUCT DETAILS

KEY FEATURES

Standard size 0.5 / 1 / 2 / 3 m.

Other sizes available on request.

Available in silver or black.

Other colours available on request.

SPECIFICATIONS

Main tube cross-section	50 x 2 mm
Main Tube	Alloy EN AW 6082T6
Diagonal Tube Section	16 x 2 mm
Alloy diagonal	EN AW 6082T6
Weight	5,7 kg/m
Section Area	12,06 cm ²
Connection System	CBC50P
Truss weight 1 m	7 kg
Volumen truss 1 m	0,0841 m ³
Color	Silver