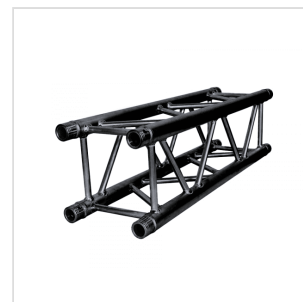
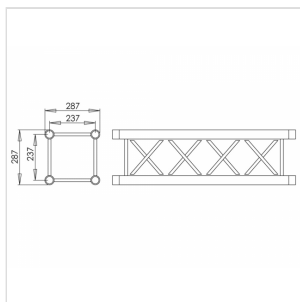
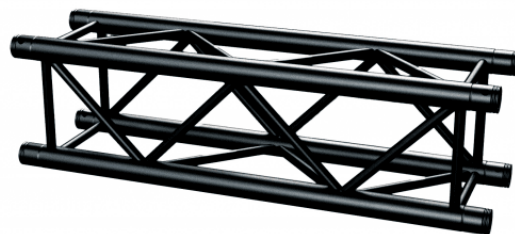


EC2905PB

29 CM SQUARED TRUSS OF 0.5M. P SERIES. BLACK

29 cm square aluminium truss structure section, made of 50 mm diameter and 2 mm thick main tube, and 16 mm diameter and 2 mm thick auxiliary tube. It is available in 0.5 m lengths, and black. Includes 4 double cones, 4 pins, 4 threaded pins and 4 'R' safety clips. P SERIES



EC2905PB

29 CM SQUARED TRUSS OF 0.5M. P SERIES. BLACK

PRODUCT DETAILS

KEY FEATURES

Standard sizes: 0.5 / 1 / 2 / 3 m.

Other sizes available on request.

Available in silver or black.

Other colours available on request.

SPECIFICATIONS

| | |
|--------------------------------|-----------------------|
| Main tube cross-section | 50 x 2 mm |
| Main Tube | Alloy EN AW 6082T6 |
| Diagonal Tube Section | 16 x 2 mm |
| Alloy diagonal | EN AW 6082T6 |
| Weight | 5,7 kg/m |
| Section Area | 12,06 cm ² |
| Connection System | CBC50P |
| Truss weight 0.5 m | 4.6 kg |
| Truss volume 0.5 m | 0,0421 m ³ |
| Color | Black |