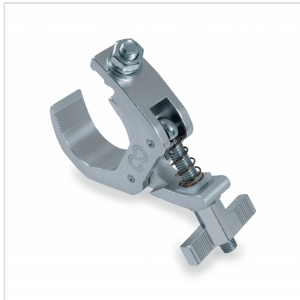
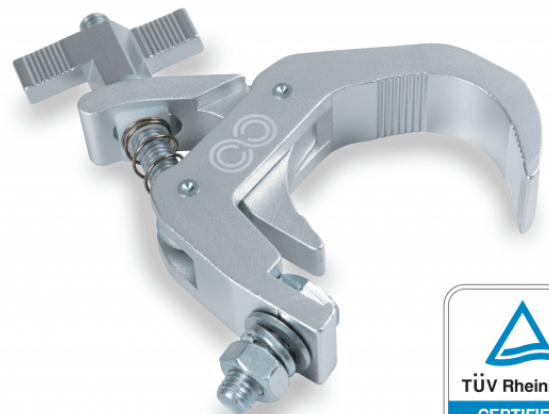


CLC-60100S

ALUMINIUM CLAMP 42-60 MM 100 KG

Clamp for trusses with sections between 42 and 60 mm.
Maximum load 100 kg.



CLC-60100S

ALUMINIUM CLAMP 42-60 MM 100 KG

PRODUCT DETAILS

KEY FEATURES

SPECIFICATIONS

Safe working load	100 kg
Fit tube Dimeter	Ø42-60 mm
Material	Aluminum
Surface Treatment	Polishing
Color	Aluminum
TUV Certified	Yes