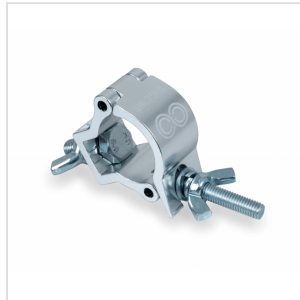
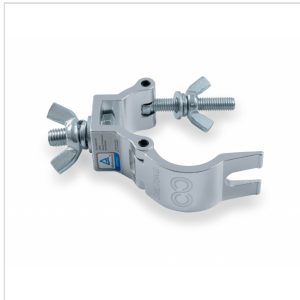
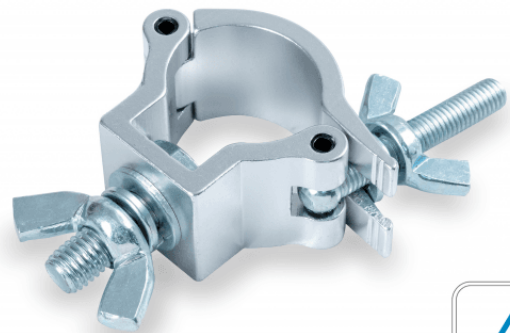


CLC-3575S

ALUMINIUM CLAMP 31-35 MM 75 KG

Clamp for trusses with sections between 31 and 35 mm.
Maximum load 75 kg.



CLC-3575S

ALUMINIUM CLAMP 31-35 MM 75 KG

PRODUCT DETAILS

KEY FEATURES

SPECIFICATIONS

Safe working load	75 kg
Fit tube Dimeter	Ø31 - 35 mm
Material	Aluminum
Surface Treatment	Polishing
Color	Alluminium
TUV Certified	Yes