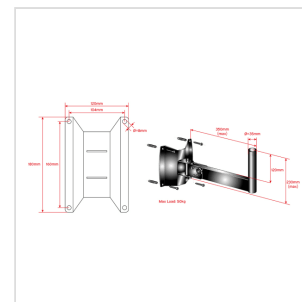


WSS-08

WALL MOUNT SPEAKER STAND WITH INCLINATION ADJUSTMENT PIN

WSS-08 is an essential tool to install speakers in several situations: bars, restaurants, school, conference room, etc. Sturdy and stable, it's built in metal and it comes with 4 wall fixing points in order to guarantee best stability. Speaker can be directed through the horizontal junction, while inclination can be adjusted in 3 different positions.



WSS-08

WALL MOUNT SPEAKER STAND WITH INCLINATION ADJUSTMENT PIN

PRODUCT DETAILS

KEY FEATURES

Fully built in metal material

35mm pole mount

4 wall fixing point with included screws

180° horizontal adjustment for optimal direction

Inclination can be adjusted in 3 different position with safety pin (0°, 19°, 39°)

SPECIFICATIONS

Load capacity	50 Kg
Horizontal directivity	180°
Inclination	from 0° to -29° in 3 positions
Horizontal distance of fixing holes	104 mm
Vertical distance of fixing holes	160 mm
Plate dimension (LxH)	120 x 180mm
Total lenght	300 mm
Pole mount dimensions	(ØxH)