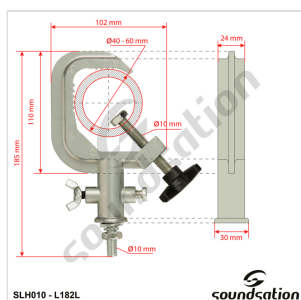


SLH010

ALUMINUM PIPE CLAMP FROM 40 TO 60 MM PIPE DIAMETER

Pipe clamp to hang any mobile heads, projectors, or other kind of fixtures to lighting stand or truss systems with pipe diameters ranging from 40 to 60 mm (from 1.57 to 2.36 in).



SLH010

ALUMINUM PIPE CLAMP FROM 40 TO 60 MM PIPE DIAMETER

PRODUCT DETAILS

KEY FEATURES

Locking Type: Screw

SWL (Safe Working Load): 80 kg

Pipe Diameter: From 40 to 60 mm (from 1.57 to 2.36 in)

SPECIFICATIONS

Material	Aluminum
Size	102 x 185 x 30 mm
Net Weight	0,36 kg