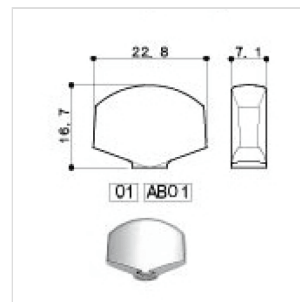
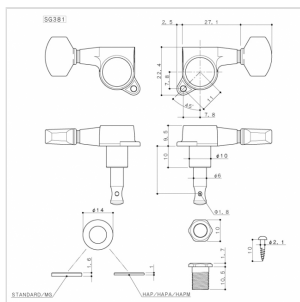


SG381-01-GG-L3R3

ELECTRIC AND ACOUSTIC GUITAR MACHINE HEADS, L3/R3, GOLD

Gotoh Machine Heads has an excellent value for money. Ideal for acoustic and electric guitars



SG381-01-GG-L3R3

ELECTRIC AND ACOUSTIC GUITAR MACHINE HEADS, L3/R3, GOLD

PRODUCT DETAILS

KEY FEATURES

LUBRI COAT: With a "Solid Luburication Coat", regular oil has been eliminated keeping the lubrication where it is needed for the life of the tuning machine heads. It is now enhanced with a GOTOH original anti-transformable lubrication oil and this reduces the friction between the gears resulting in an ultra smooth feel, minimal back lash and unrivalled tuning stability.

ROCK SOLID: Anchoring system developed by Gotoh that prevents movements outside the central axis of the pin, thereby promoting a greater stability of tuning.

Button: 01

Gear ratio: 1:16

String post: standard (6 mm x 22,2 mm)

Finish: gold

SPECIFICATIONS

| | |
|---------------------|-----------|
| Finishes | Chrome |
| Installation | R3 + L3 |
| Gear ratio | 1:16 |
| Weight | 36.0g/pcs |
| Button | 01 GOLD |