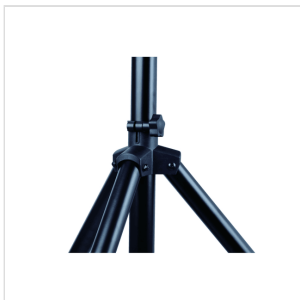


**SSPS-80-BK****ALUMINIUM SPEAKER STAND WITH 35 MM POLE MOUNT AND NYLON BASE JOINT**

SSPS-80 is a speaker stand with 35 mm pole mount. The whole structure is in aluminium, lightweight and sturdy, with a reinforced nylon base joint. The screw height adjustment system is double secured by a safety pin. Suitable for most speaker models. It's collapsable, lightweight and is easy to carry.



SSPS-80-BK

# ALUMINIUM SPEAKER STAND WITH 35 MM POLE MOUNT AND NYLON BASE JOINT

## PRODUCT DETAILS

### KEY FEATURES

Lightweight, sturdy and anti corrosion alluminium construction

Reinforced nylon base joint

35 mm pole mount, suitable for most speaker models

Screw locking system with handle

Metal safety pin system

### SPECIFICATIONS

<b>Load capacity</b>	50 Kg
<b>Height (min-max)</b>	1250-1850 mm
<b>Lower main tube diameter</b>	400 mm
<b>Weight</b>	2 Kg
<b>Construction material</b>	aluminium
<b>Finish</b>	painted black