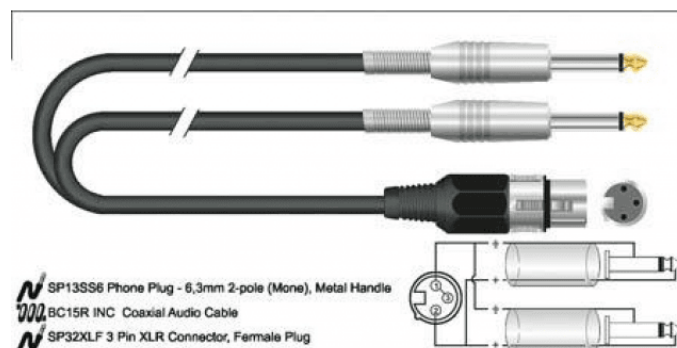


AY70BK006SD

# ADAPTER CABLE XLR 3 POLE FEMALE - 2X 1/4" MONO JACK / 0.6 MT

AC, AD and AY adapter cable series are designed to solve all connection problems due to different formats. They are indispensable on stage, studio, rehearsal room and in any other context where you have to do with different kind of audio equipment. All these series use professional coaxial cables to guarantee excellent insulation from interference and long life.



AY70BK006SD

# ADAPTER CABLE XLR 3 POLE FEMALE - 2X 1/4" MONO JACK / 0.6 MT

## PRODUCT DETAILS

### KEY FEATURES

Connectors: XLR 3 pole female SP32XLF - 2x 1/4" mono Jack gold plated tip SP13SS6

Spiral screened cable, low capacitance

Conductive PVC + Copper Drain Wire shielding

PE insulation

Flexible, extremely robust

Application: stage, mobile

Length: 0.6 mt

### SPECIFICATIONS

**Shielding**                      conductive PVC + Copper Drain Wire shielding

**Connectors**                    XLR 3 pole female SP32XLF - 2x 1/4" mono Jack gold plated tip SP13SS6