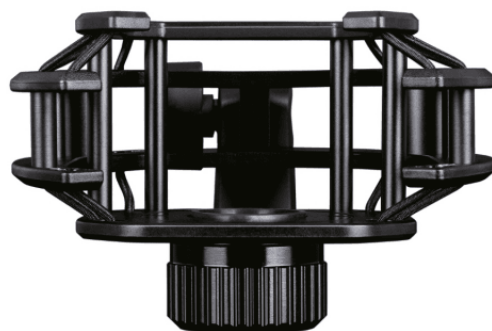


LCT40SH

# LCT SERIES PRO MICROPHONE SHOCK MOUNT

Shock mount for studio microphones. Attenuates noise, shock and vibration transmitted through mic stands, booms and mounts. Quick-acting screw thread closure permits fast and easy setup. Compatible with 3/8" and 5/8" threads.



## PRODUCT DETAILS

### KEY FEATURES

Compatible for models LCT 240 PRo, LCT 440 PURE, LCT 441 Flex, DGT450

Color: Black