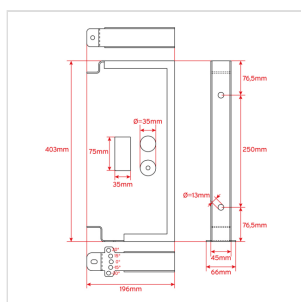


ESTRO 6P BRACKET WALL-MOUNT BRACKET FOR ESTRO 6P AND HYPER TOP 6 ACTIVE/PASSIVE

Suitable for HELVIA ESTRO 6P, SOUNDSATION HYPER TOP
6A and SOUNDSATION HYPER TOP 6P



ESTRO 6P BRACKET

WALL-MOUNT BRACKET FOR ESTRO 6P AND HYPER TOP 6 ACTIVE/PASSIVE



PRODUCT DETAILS

KEY FEATURES

Horizontal Position with Angle Adjustment; Fixed Vertical Position.

Angle Adjustment (Horizontal Loudspeaker): 5 Positions with Max 60° (-30°, -15°, 0°, +15°, +30°)

Load Capacity: 30kg

Strong construction with 2.5 mm thickness steel

SPECIFICATIONS

Bracket Size (WxDxH)	404 x 195 x 66 mm
Bracket Weight	1,17 kg
Bracket and Accessories Weight	1,8 kg
Carton Size (WxDxH)	422 x 216 x 95 mm
Packing Weight	2,5 kg