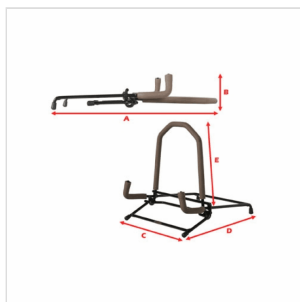


CC37A

FLAT-FOLDING ACOUSTIC GUITAR STAND

The CC37 flat-folding guitar stand is the latest product for musicians on the go. Developed on String Swing's precision CNC automated bender, this sturdy product offers great quality, along with an affordable price! It's design also allows for quick & easy transport between venues.



CC37A

FLAT-FOLDING ACOUSTIC GUITAR STAND

PRODUCT DETAILS

KEY FEATURES

Developed on String Swing's precision CNC automated bender

This guitar stand folds flat for easy transport

Accommodates acoustic guitars from 2.5" to 5" body width

Padded arms and backrest protect your axe from scratches

Lightweight, foldable, and affordable

SPECIFICATIONS

Open Stand Dimension

9" x 9.75" x 7"